

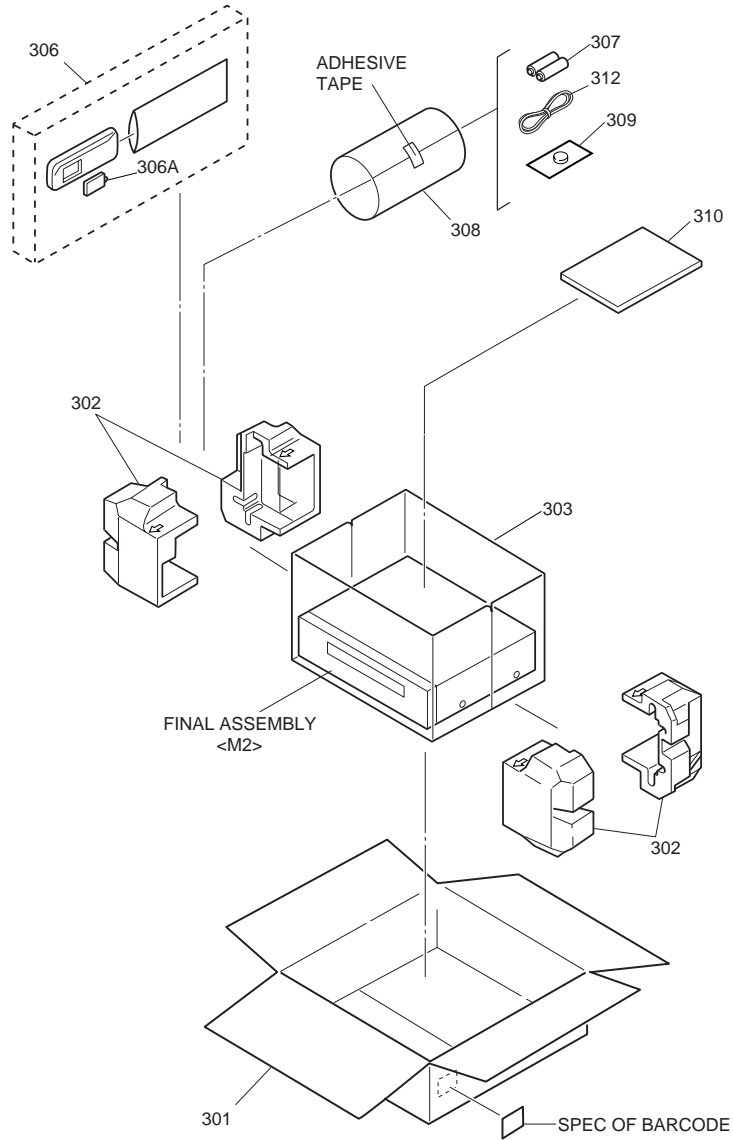
SECTION 5 PARTS LIST

SAFETY PRECAUTION

Parts identified by the \triangle symbol are critical for safety. Replace only with specified part numbers.

5.1 PACKING AND ACCESSORY ASSEMBLY <M1>

The instruction manual to be provided with this product will differ according to the destination.



# \triangle	REF No.	PART No.	PART NAME, DESCRIPTION	# \triangle	REF No.	PART No.	PART NAME, DESCRIPTION

PACKING AND ACCESSORY ASSEMBLY <M1>							
	301	LP30990-004A	PACKING CASE		306A	LP40225-001A	COVER(BATTERY)
	302	LP30898-001B	CUSHION ASSY		307	-	BATTERY,X2,"AA"TYPE
	303	PQM30021-92	POLY BAG		308	QPC02202230P	POLY BAG
	306	LP20303-016C	REMOTE CONTROLLER	\triangle	309	PECA0903	LI.BATTERY,CR2025
				\triangle	310	LPT0609-001A	INST.BOOK(SP)
					312	PEAC0294-04	RF CABLE